



30203

- Popular item
- SKF Explorer

Tapered roller bearings, single row

Bearing data

[Tolerances,](#)

Normal and CL7C, CLN, Normal and CL, deviating width

Bearing interfaces

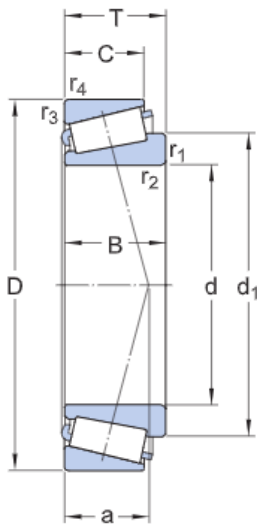
[Seat tolerances for standard conditions,](#)

[Tolerances and resultant fit](#)

Technical specification

Dimension series

2DB

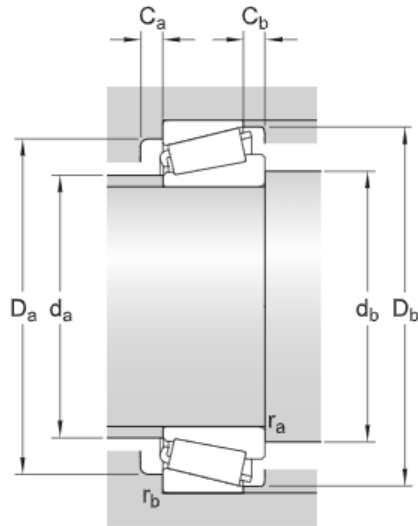


DIMENSIONS

d	17 mm	Bore diameter
D	40 mm	Outside diameter
T	13.25 mm	Total bearing width
d1	≈29 mm	Inner ring shoulder diameter
B	12 mm	Width inner ring
C	11 mm	Width outer ring
r1,2	min.1 mm	Corner radius inner ring
r3,4	min.1 mm	Corner radius outer ring
a	9.515 mm	Distance pressure point

ABUTMENT DIMENSIONS

da	max.23 mm	Abutment diameter shaft
	min.23.5	Abutment



d_b	mm	diameter shaft
D_a	min.34 mm	Abutment diameter housing
D_a	max.34.5 mm	Abutment diameter housing
D_b	min.37 mm	Abutment diameter housing
C_a	min.2 mm	Abutment housing - axial space at the large side face/ both sides of the outer ring
C_b	min.2 mm	Abutment housing - axial space at the small side face/ both sides of the outer ring
r_a	max.1 mm	Fillet radius
r_b	max.1 mm	Fillet radius

CALCULATION DATA

Basic dynamic load rating	C	23.4 kN
Basic static load rating	C_0	18.6 kN
Fatigue load limit	P_u	1.83 kN
Reference speed		15 000 r/min
Limiting speed		18 000 r/min
Calculation factor	e	0.35
Calculation factor	Y	1.7
Calculation factor	Y_0	0.9

MASS

Mass bearing	0.079 kg
--------------	----------